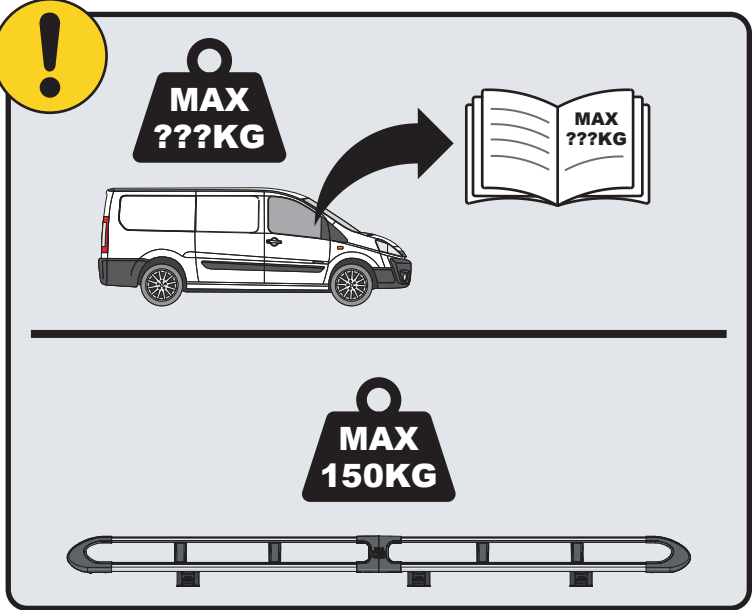
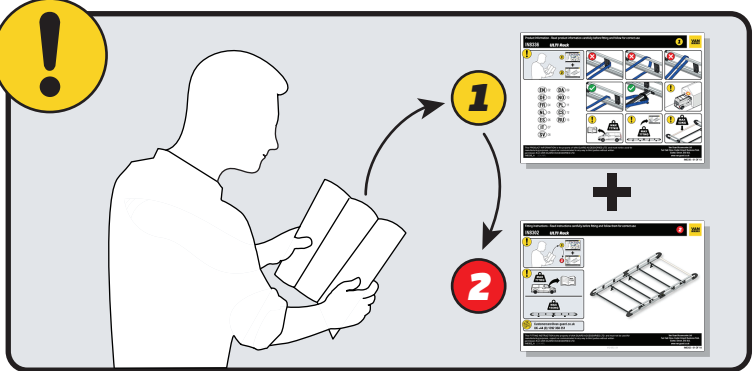


IN8292

ULTI Rack+



 Customercare@van-guard.co.uk
UK +44 (0) 1392 368 351



This FITTING INSTRUCTION is the property of VAN GUARD ACCESSORIES LTD. and must not be used for manufacturing purposes, copied nor communicated in any way to third parties without written permission from VAN GUARD ACCESSORIES LTD.
IN8292_B (CN:00356)

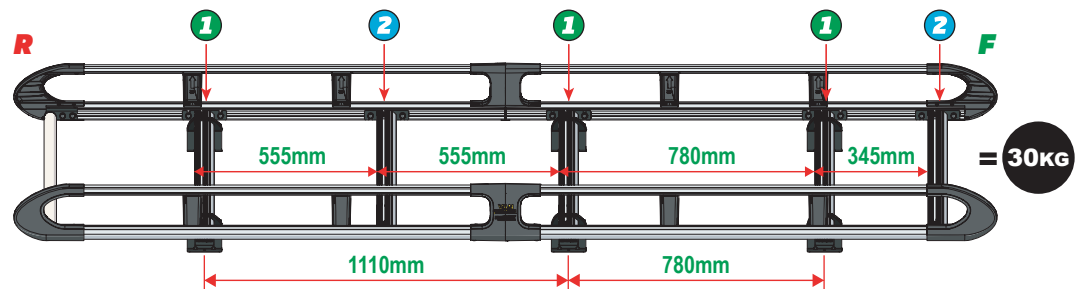
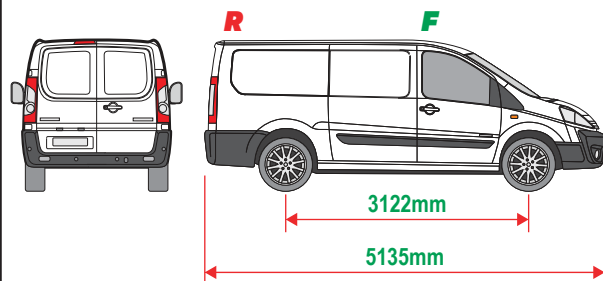
Van Guard Accessories Ltd
Fair Oak Close, Exeter Airport Business Park,
Exeter, Devon, EX5 2UL
www.van-guard.co.uk

THIS INSTRUCTION COVERS THE FOLLOWING MODELS - CHECK YOU ARE FITTING THE CORRECT MODEL BEFORE PROCEEDING

VGUR-221

Citroen Dispatch: 2007-2016
Fiat Scudo: 2007-2016
Peugeot Expert: 2007-2016
Toyota Pro-Ace: 2013-2016

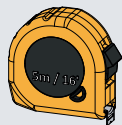
**L2H1 (LWB)
Twin Rear Doors**



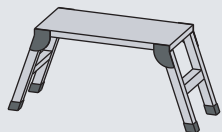
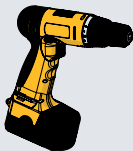
SUPPLIED COMPONENTS - CHECK ALL PARTS ARE PRESENT AND CORRECT BEFORE PROCEEDING (1 OF 2)

TOOLS REQUIRED

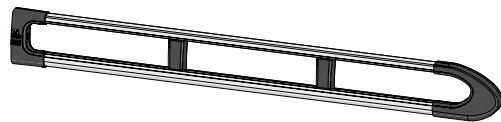
10MM X1



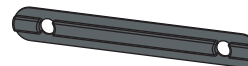
13MM X1



AS3539 X2
(2800 / A)



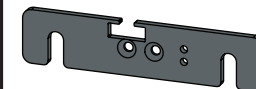
MA6118 X10



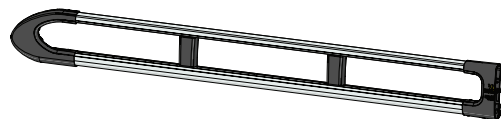
FX4241 X24



ME1622 X2



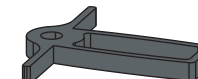
AS3538 X2
(2800 / B)



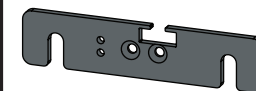
FX4008 X1



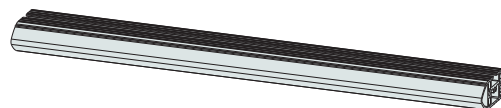
MA6145 X1



ME1623 X2



ME1627 X5
(1354mm)



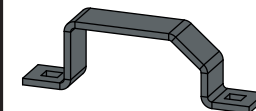
FX4001 X2
(M8X40)



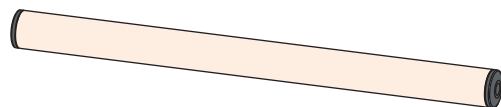
FX4235 X20
(M5X25)



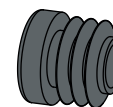
ME0203 X6



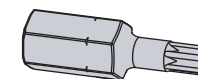
AS3159 X1
(1340mm)



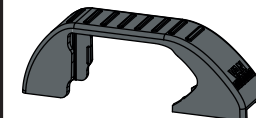
MA6007 X4



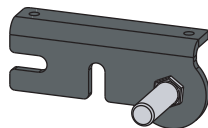
FX4248 X1
(T25)



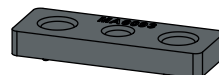
MA6065 X6



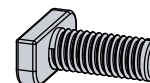
AS3590 X1



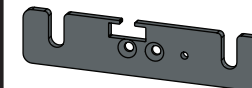
MA6093 X10



FX4239 X24
(M8X20)



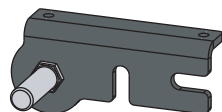
ME1620 X3



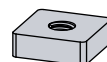
FX4016 X12
(M6)



AS3591 X1



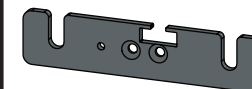
ME0316 X10



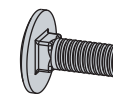
FX4240 X24
(M8)



ME1621 X3

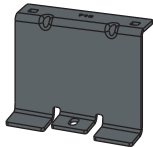


FX4042 X12
(M6X16)



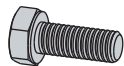
SUPPLIED COMPONENTS - CHECK ALL PARTS ARE PRESENT AND CORRECT BEFORE PROCEEDING (2 OF 2)

ME0718 X1

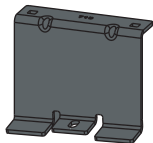


FX4012 X6

(M6X16)



ME0719 X1

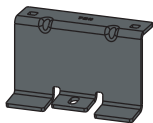


FX4017 X6

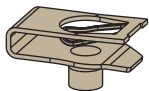
(M6)



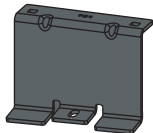
ME0720 X2



FX4126 X6



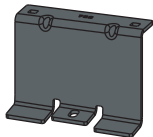
ME0721 X1



MA6016 X12



ME0722 X1



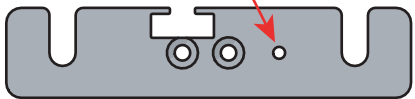
FX4010 X6

(M6)



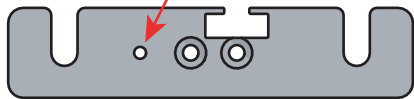
01

1L



X3

1R



X3



2L



X2

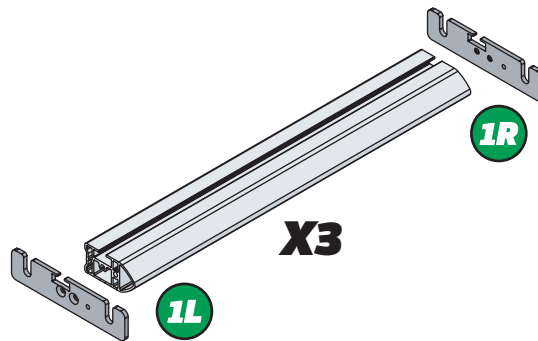
2R



X2

02

1R

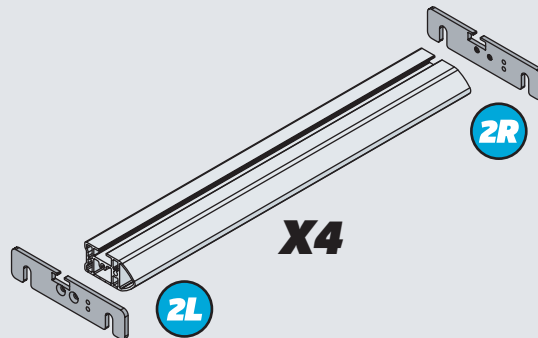


X3

1L



2R



X4

2L



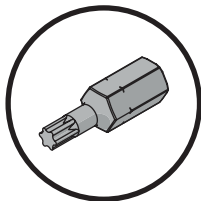
03

01

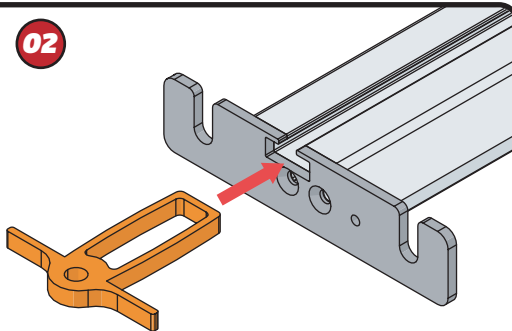
FX4248



+



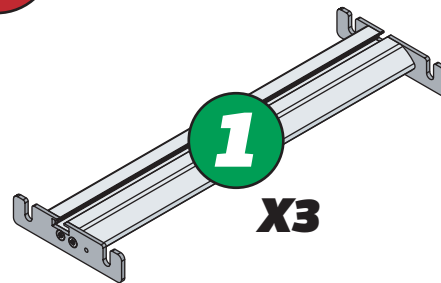
02



04

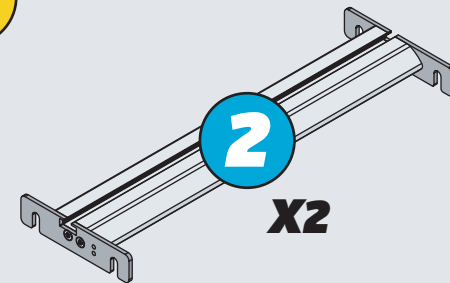


1



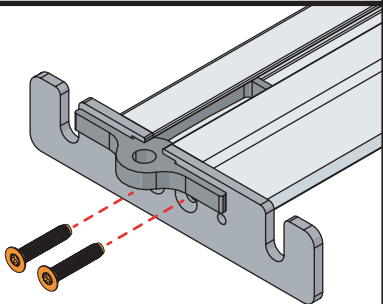
X3

2

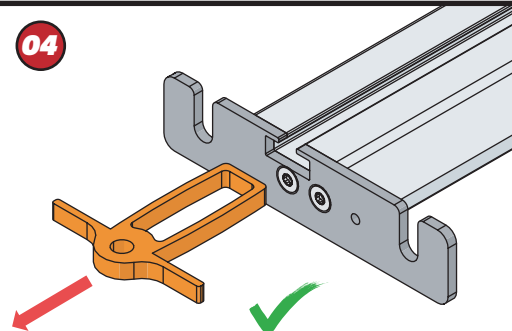


X2

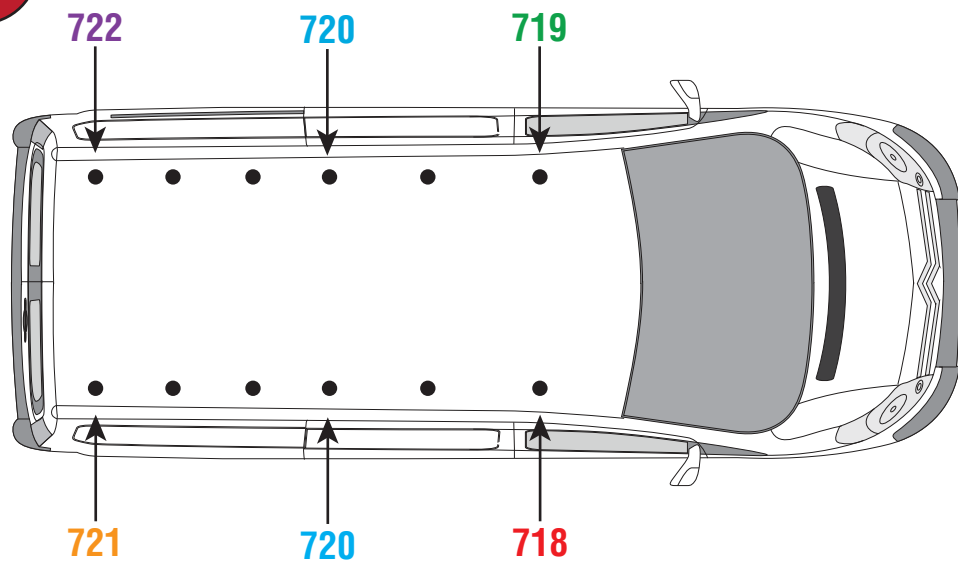
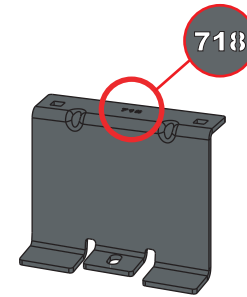
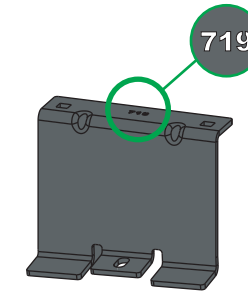
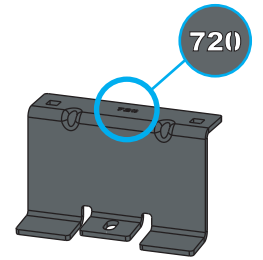
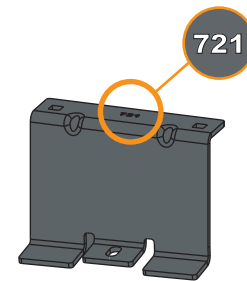
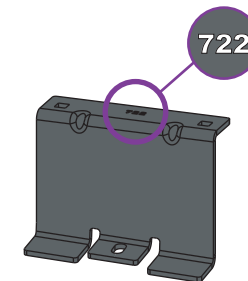
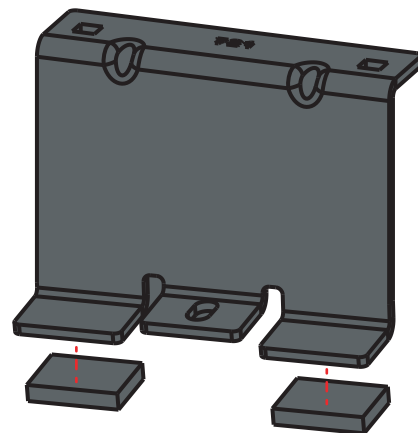
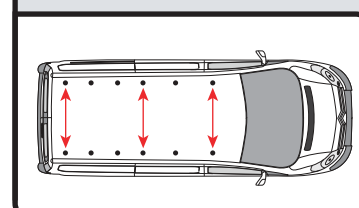
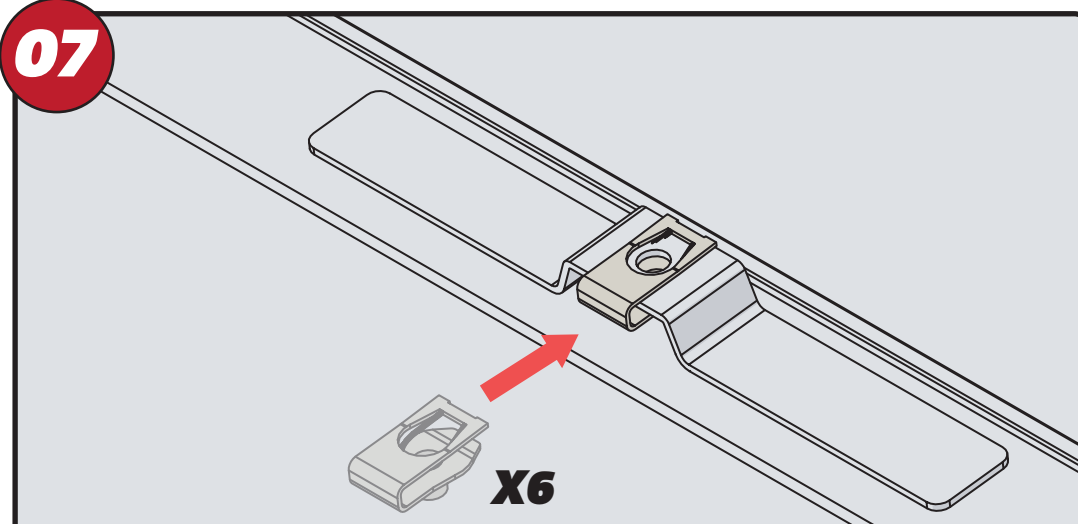
03



04

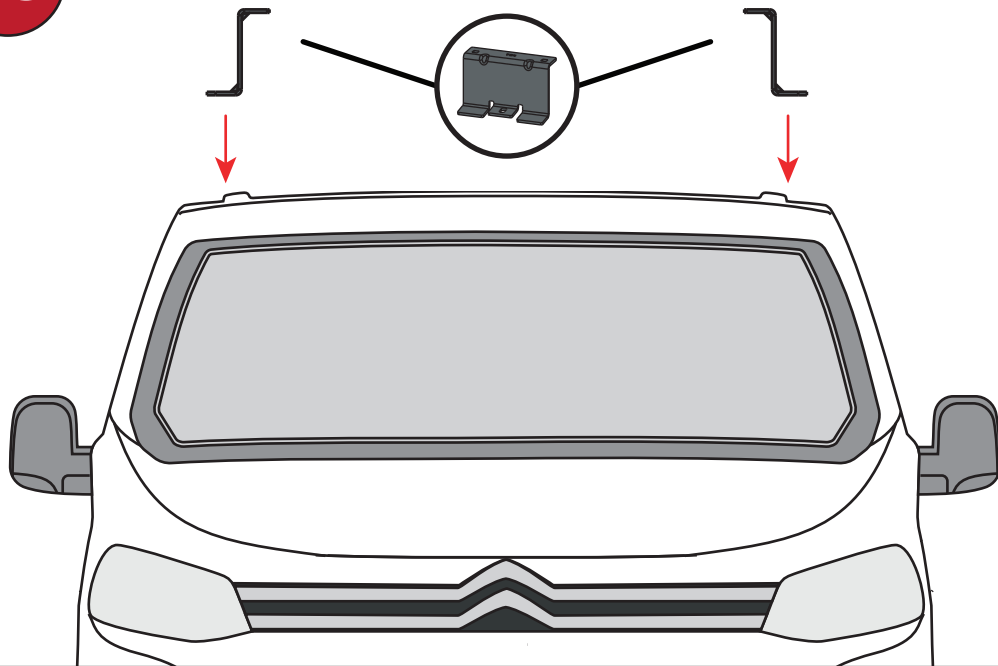
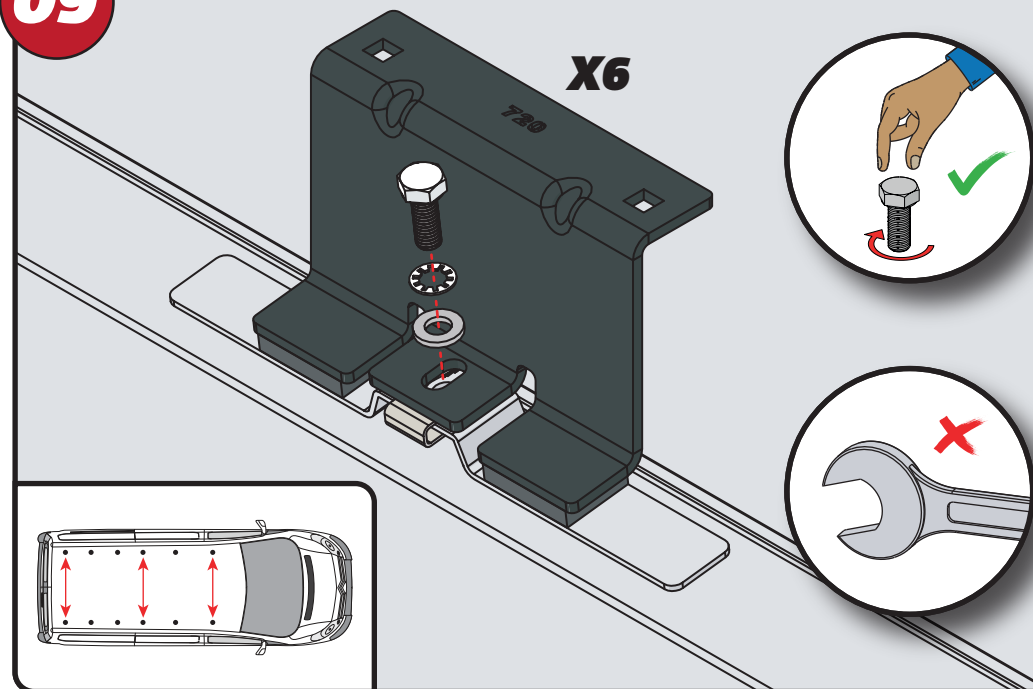
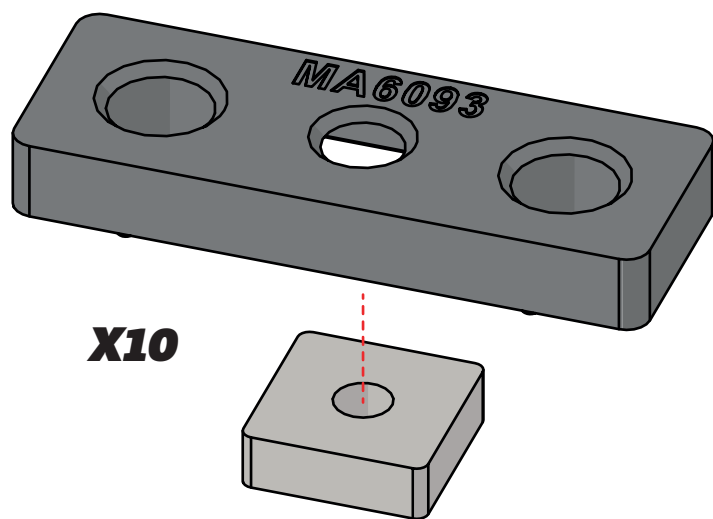
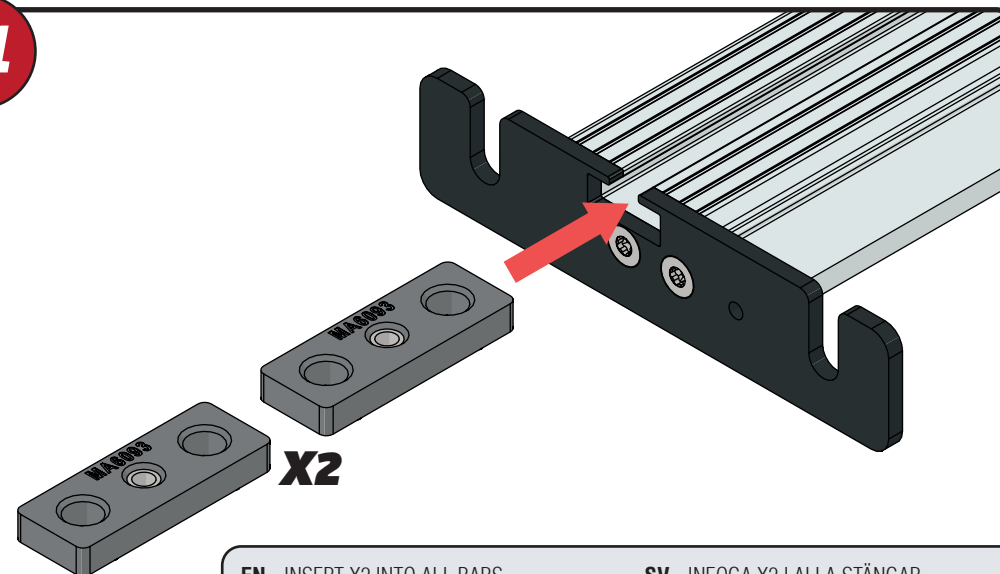


11Nm

05**718****719****720****721****722****06****07**

EN - STICK GASKETS TO ALL BRACKETS
 DE - KLEBEN SIE DIE DICHTUNG AN ALLEN HALTERUNGEN
 FR - COUSSINETS ADHÉSIFS À TOUS LES SUPPORTS
 NL - PLAK PAKKING OP ALLE BEUGELS
 ES - PEGA LAS ALMOHADILLAS A TODOS LOS SOPORTES
 IT - ADESIVI GUARNIZIONI A TUTTE LE STAFFE

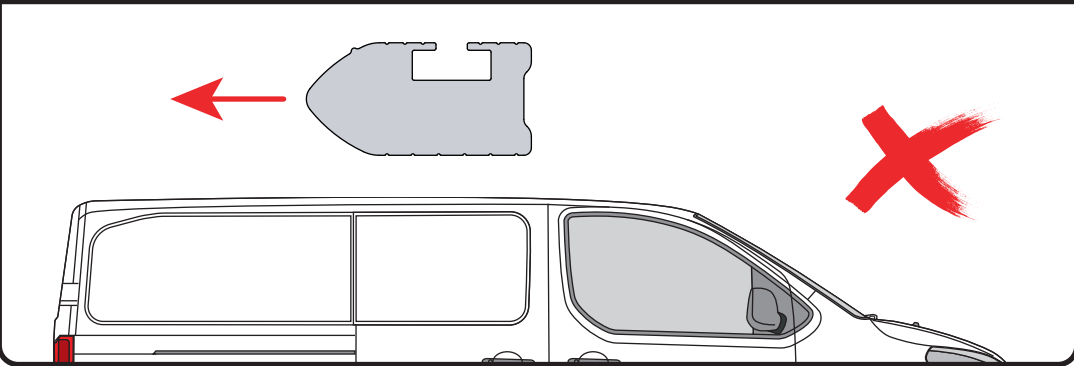
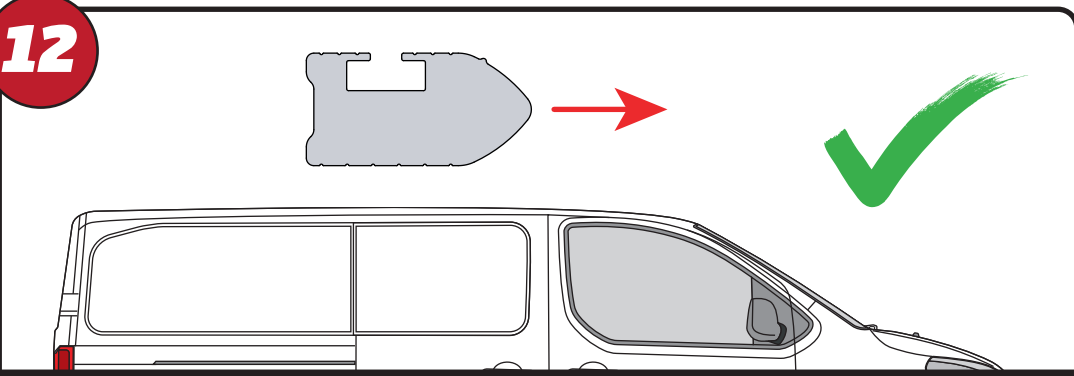
SV - FÄST GUMMI PÅ ALLA FÄSTEN
 DA - KLÆB GUMMI PÅ ALLE BESLAG
 NO - PLIST GUMMI PÅ ALLE BRAKKETER
 PL - NAKLEJ USZCZELKI DO WSZYSTKICH WSPORNIKÓW
 CS - PŘILEPTE TĚSNĚNÍ NA VŠECHNY DRŽÁKY

08**09****10****11**

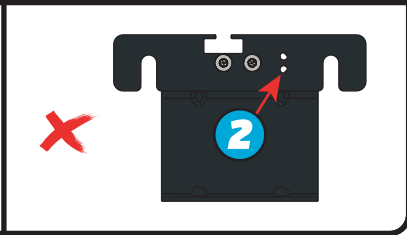
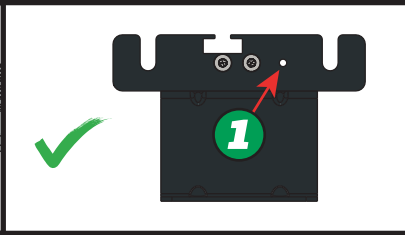
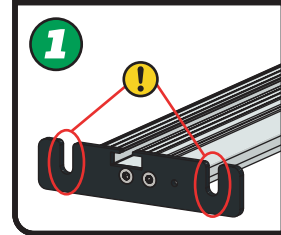
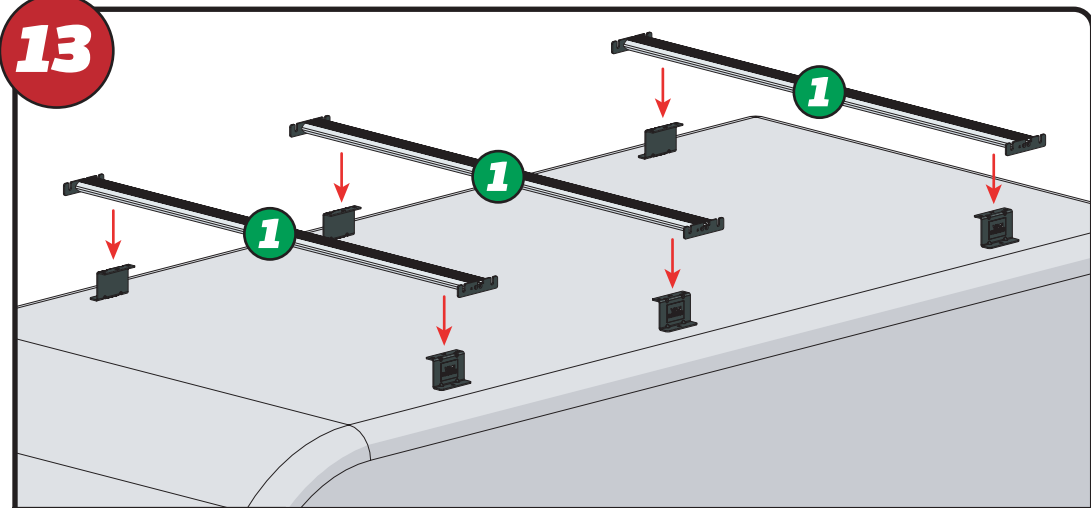
EN - INSERT X2 INTO ALL BARS
 DE - X2 IN ALLE STANGEN EINFÜGEN
 FR - INSÉRER X2 DANS TOUTES LES BARRES
 NL - PLAATS X2 IN ALLE BARS
 ES - INSERTAR X2 EN TODAS LAS BARRAS
 IT - INSERIRE X2 IN TUTTE LE BARRE

SV - INFOGA X2 I ALLA STÄNGAR
 DA - INDSÆT X2 I ALLE STÆNGER
 NO - SETT X2 INN I ALLE TAKSTENGER
 PL - WSTAW X2 DO WSZYSTKICH PRĘTÓW
 CS - VLOŽTE X2 DO VŠECH TYČÍ

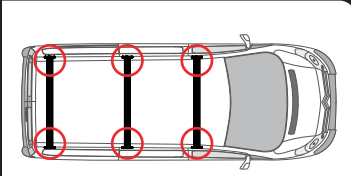
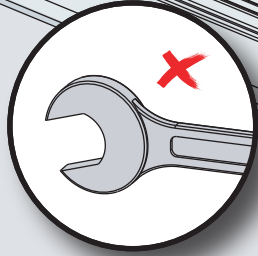
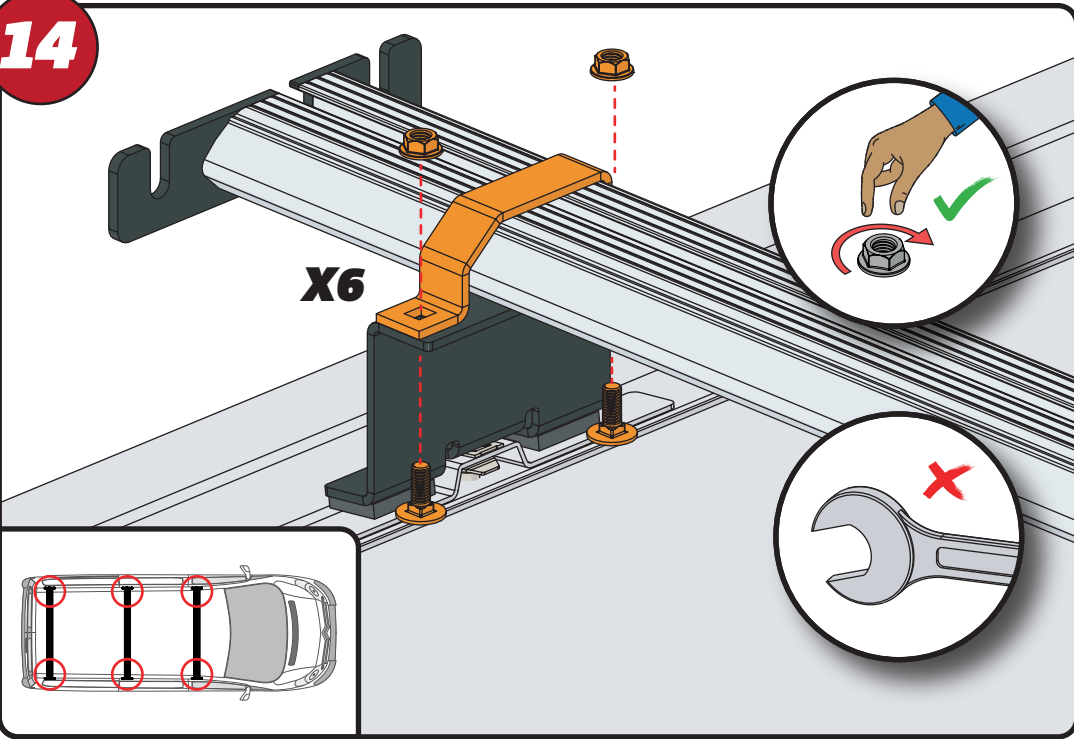
12



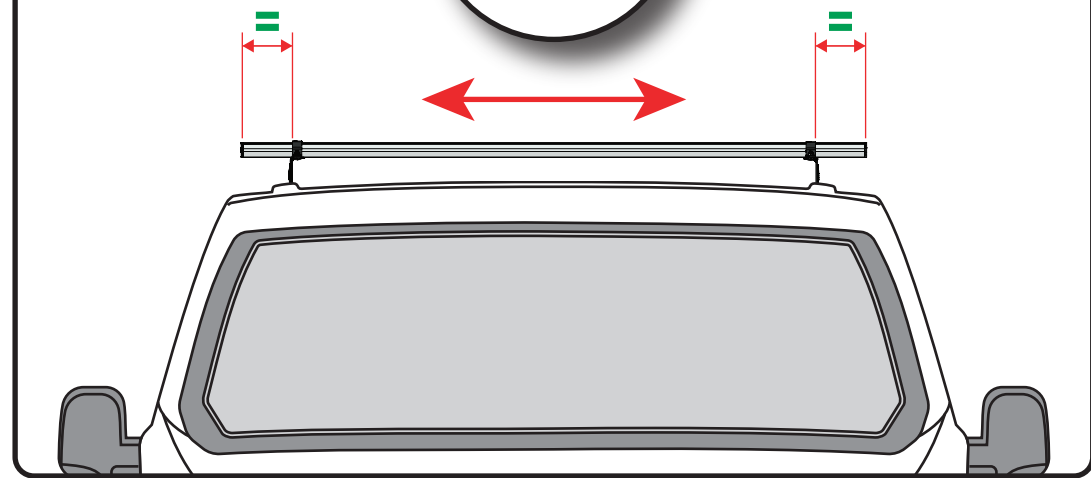
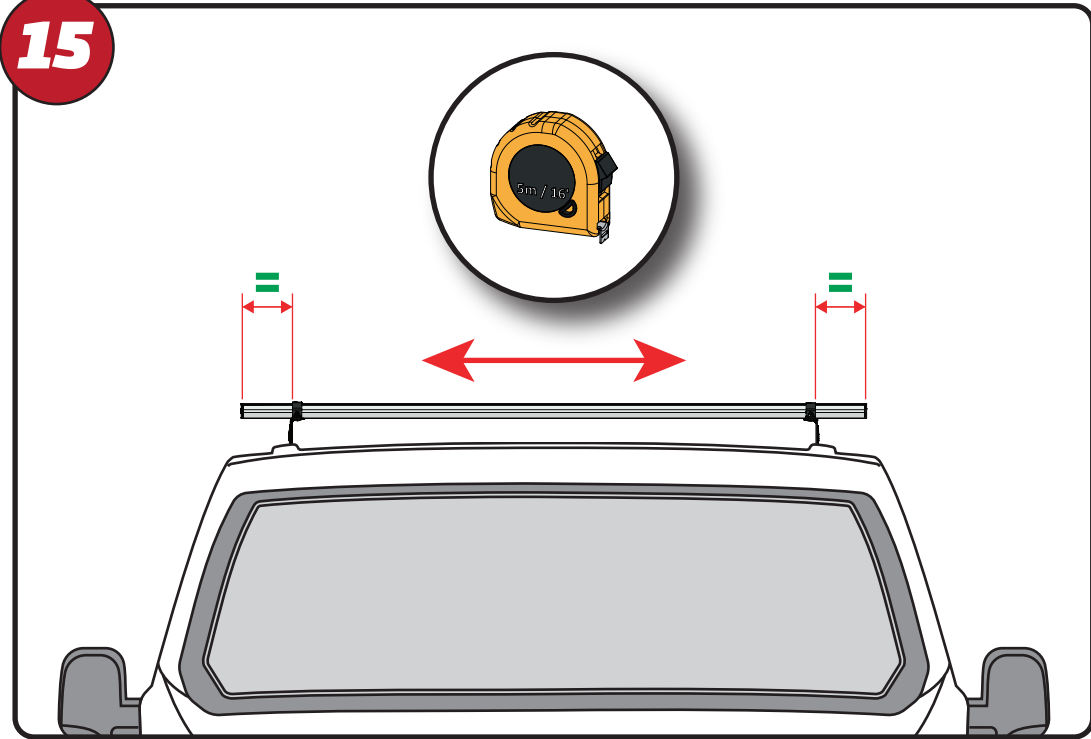
13



14



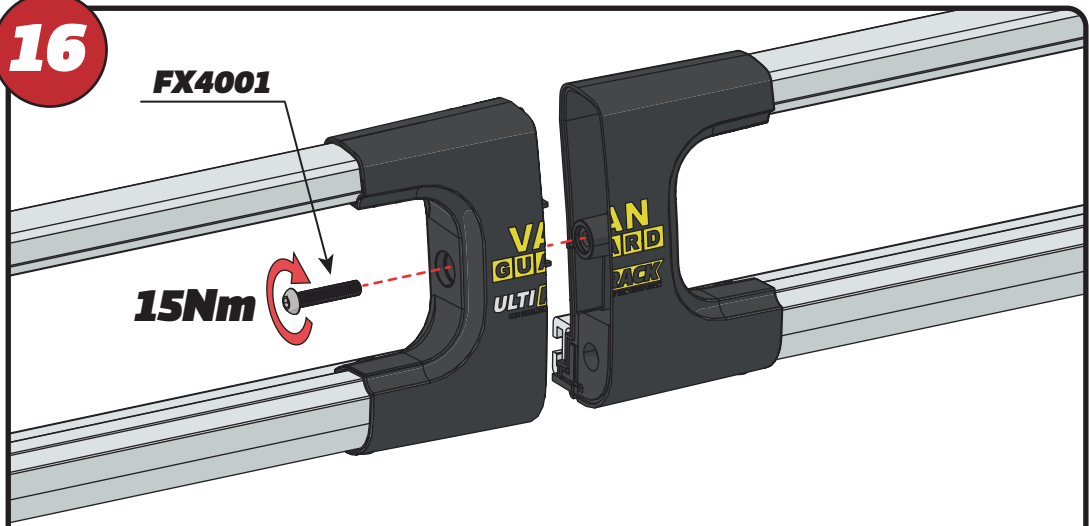
15



16

FX4001

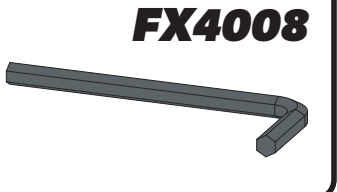
15Nm



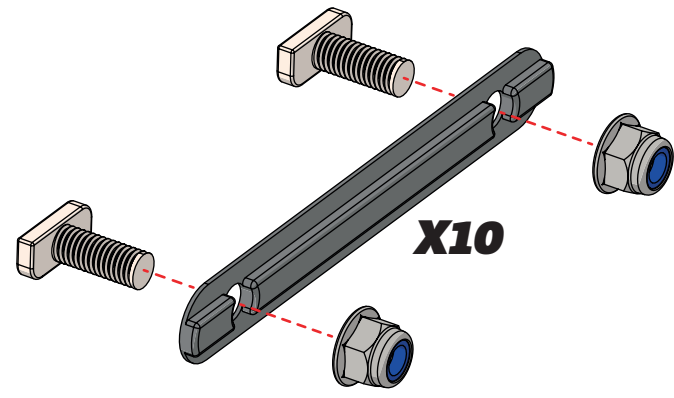
X2



FX4008

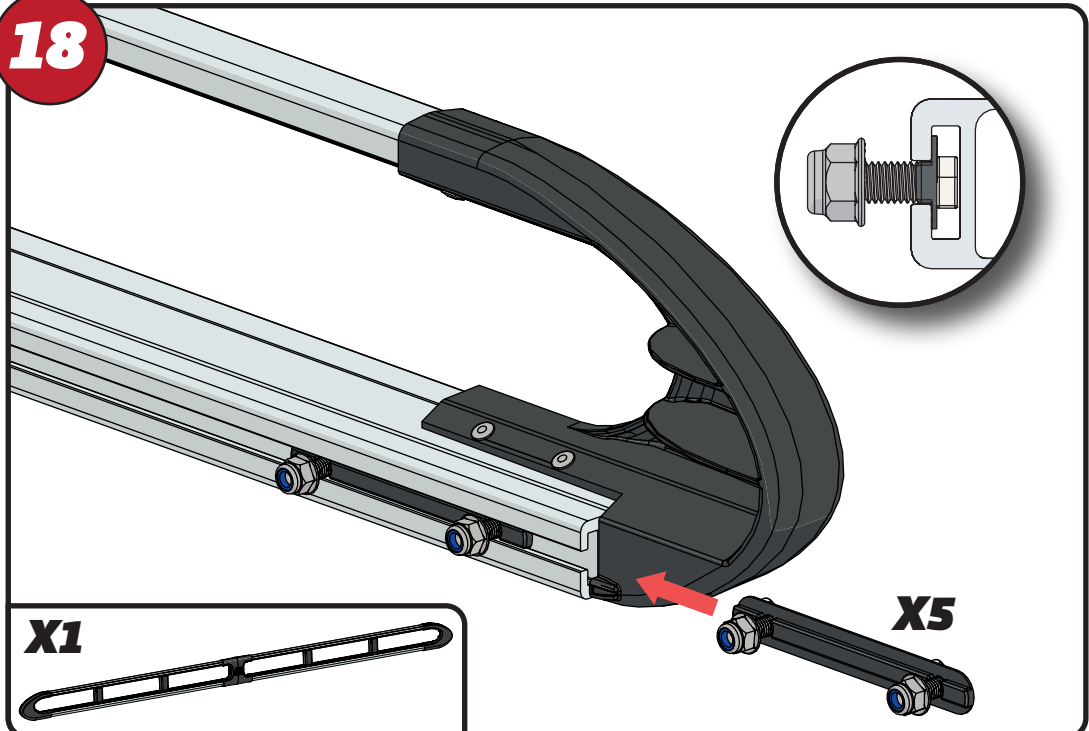


17



X10

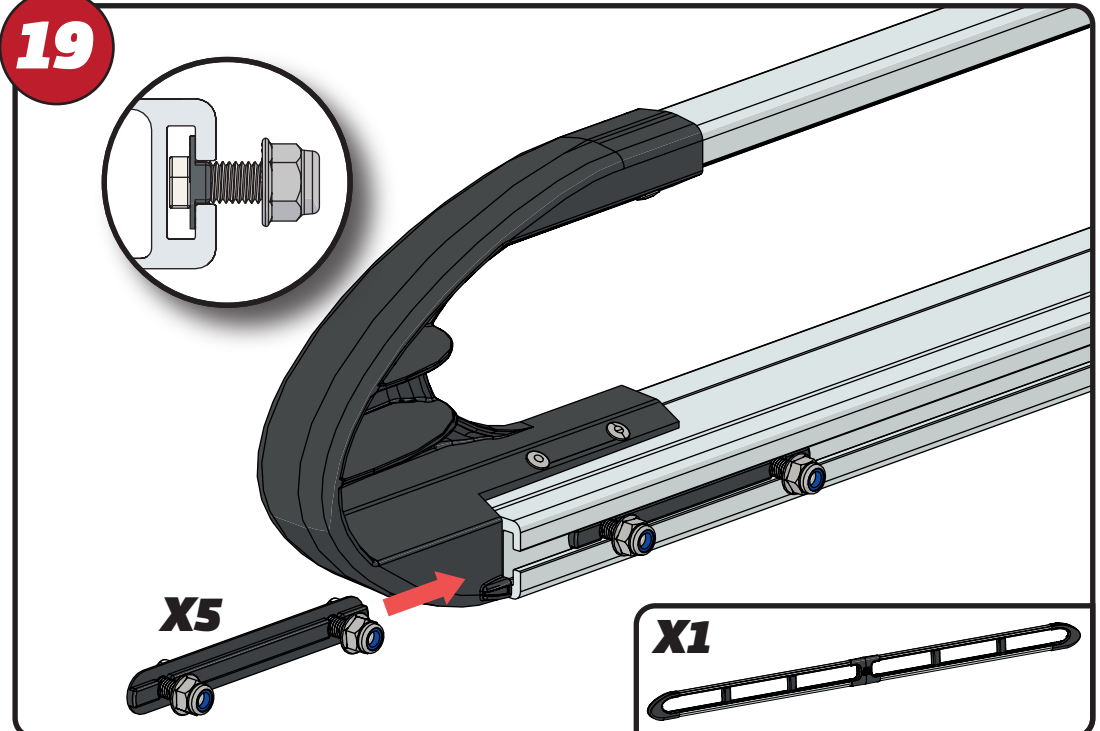
18



X1

X5

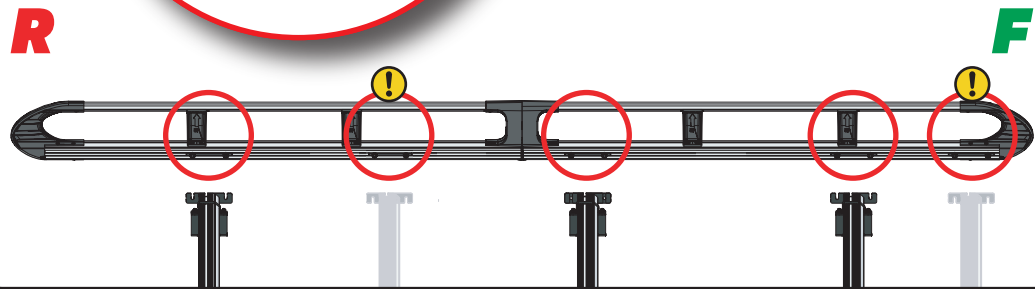
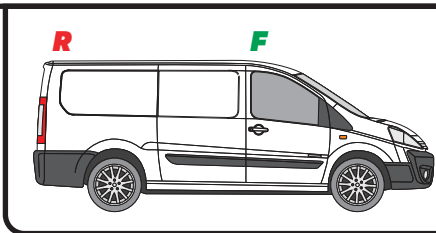
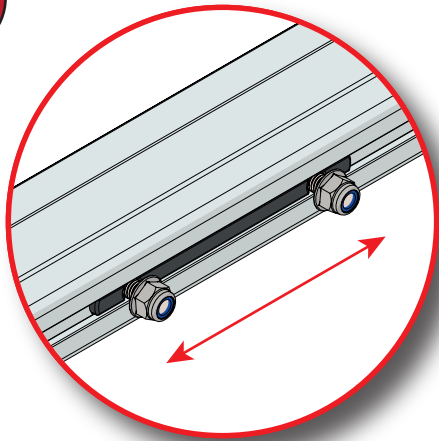
19



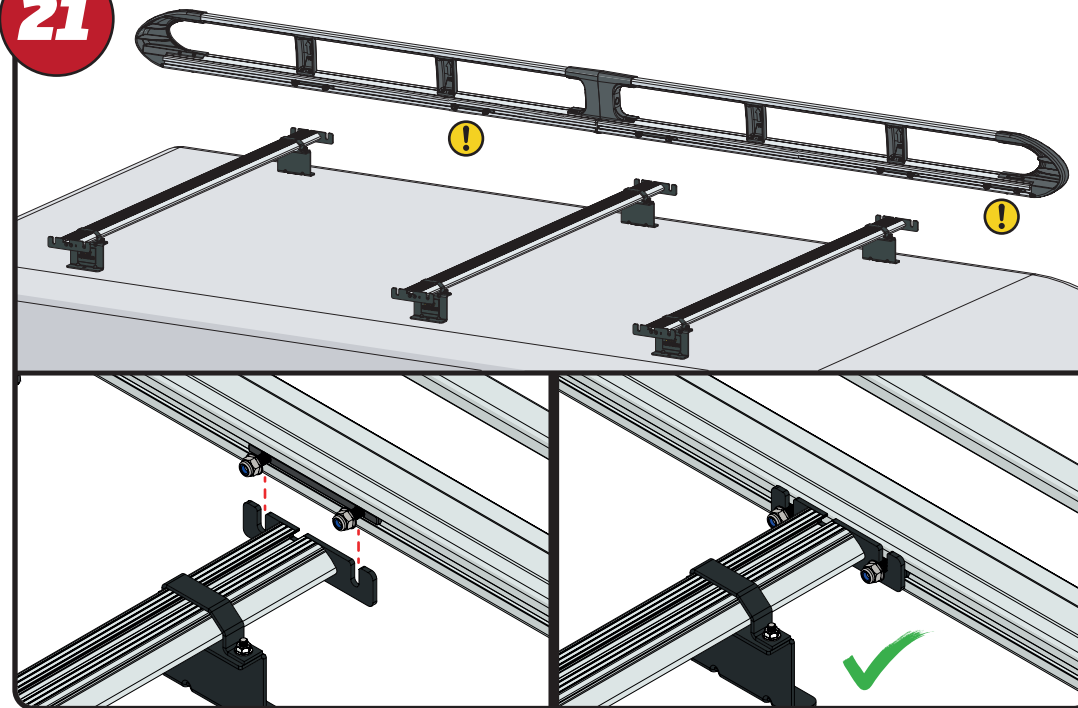
X5

X1

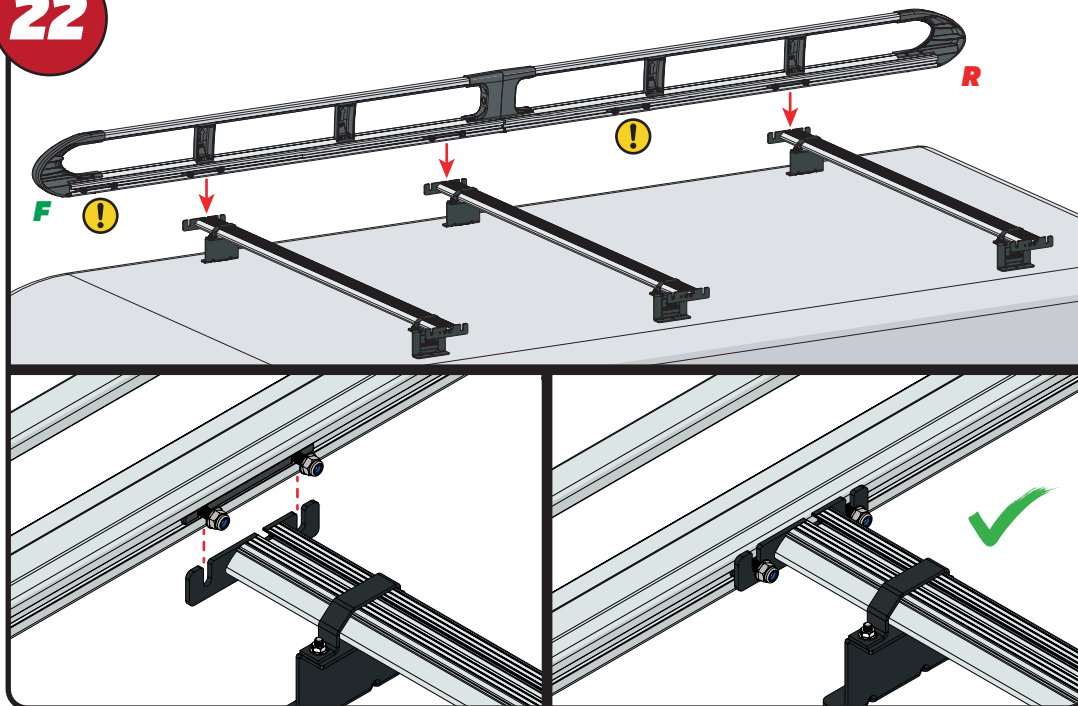
20



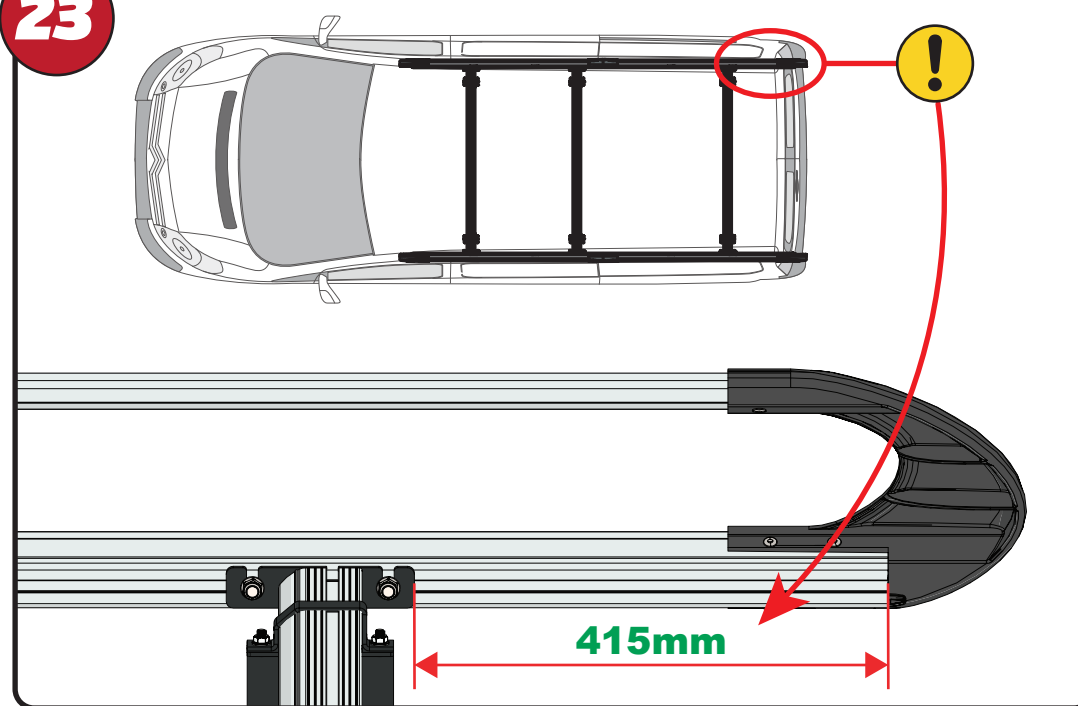
21

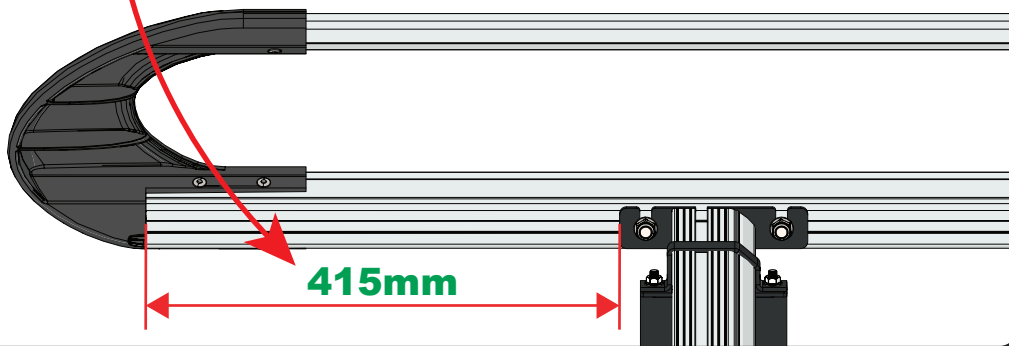
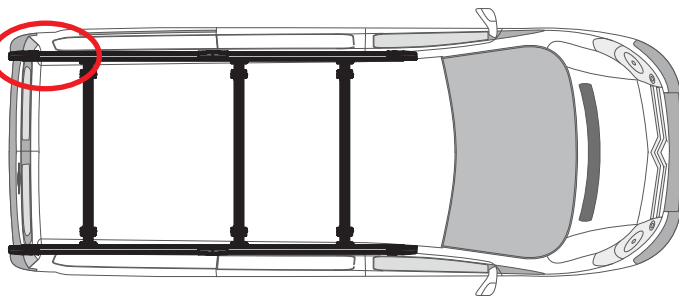
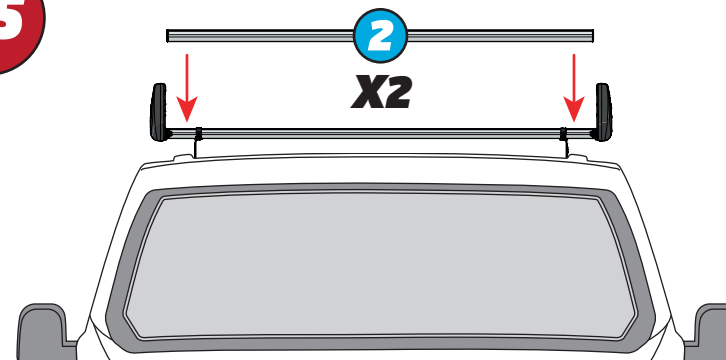
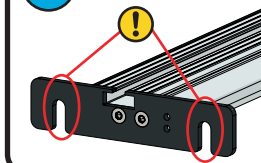
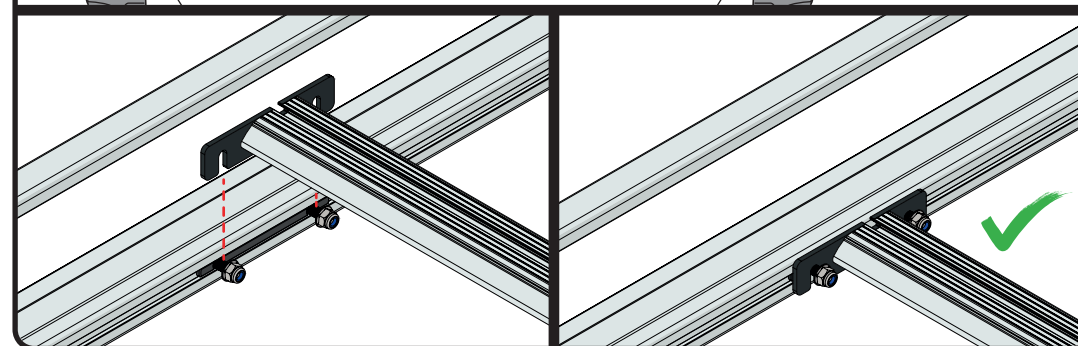
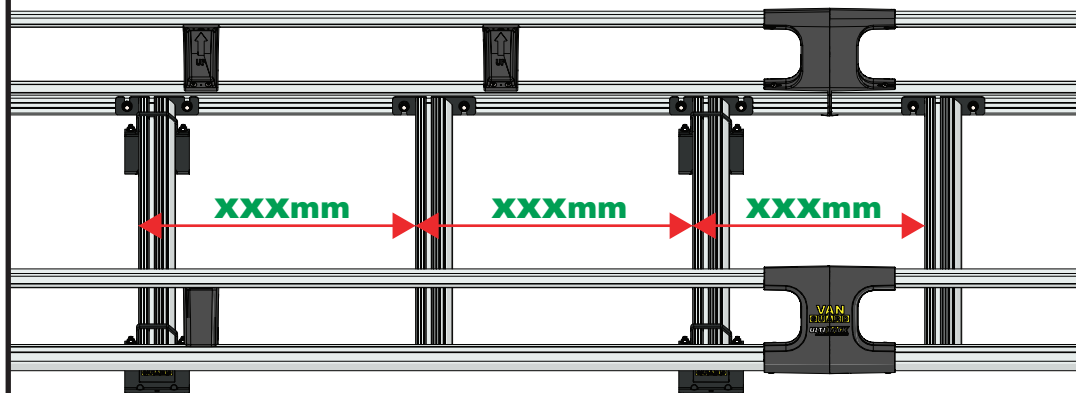
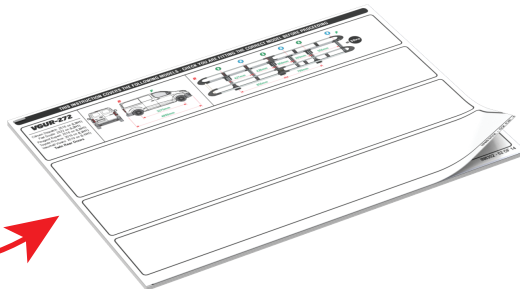
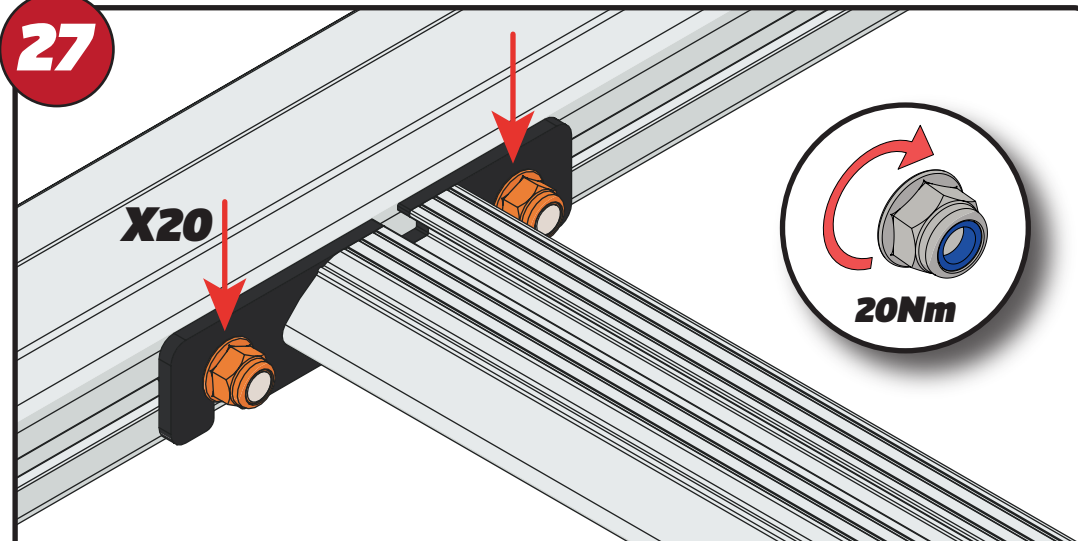


22



23

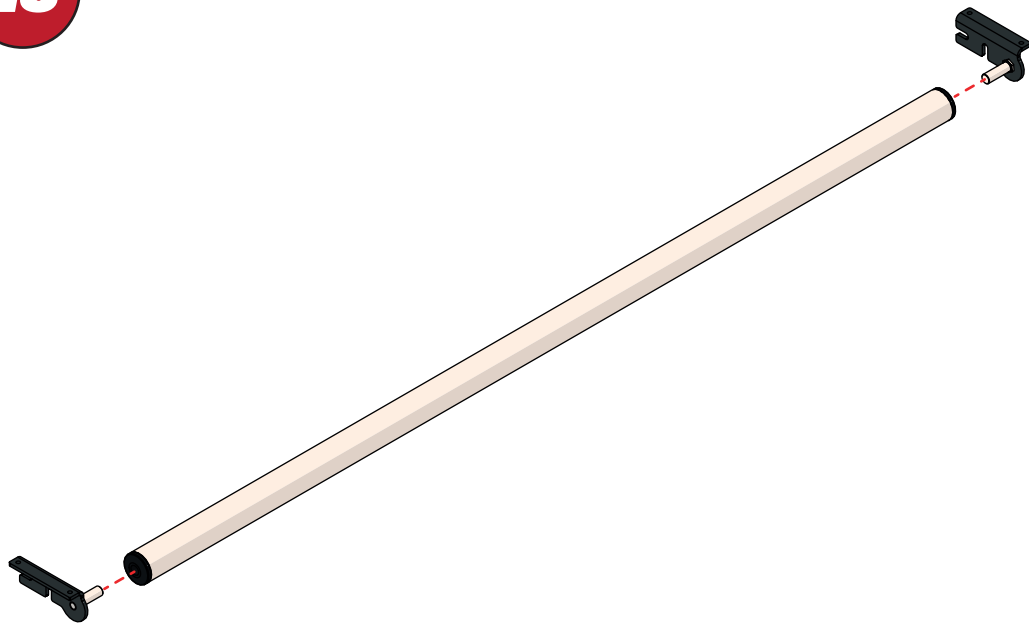


24**415mm****25****2****X2****26****XXX =
PAGE 2 OF 14****XXXmm****XXXmm****XXXmm****27****X20****20Nm**

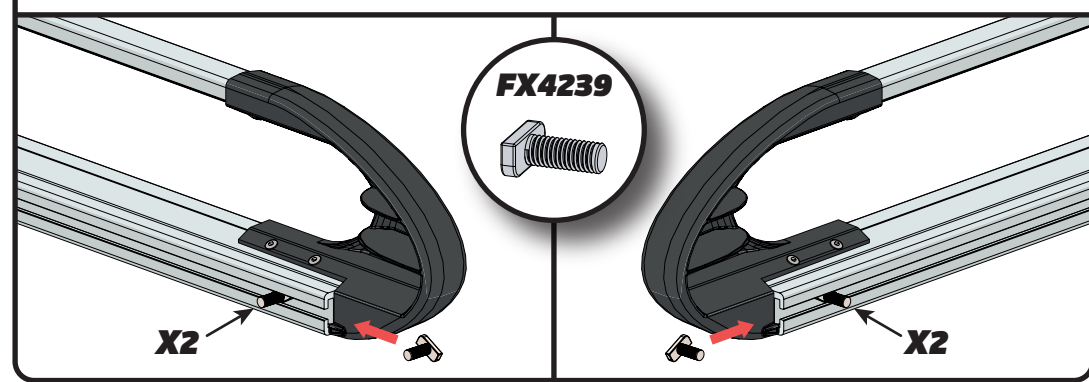
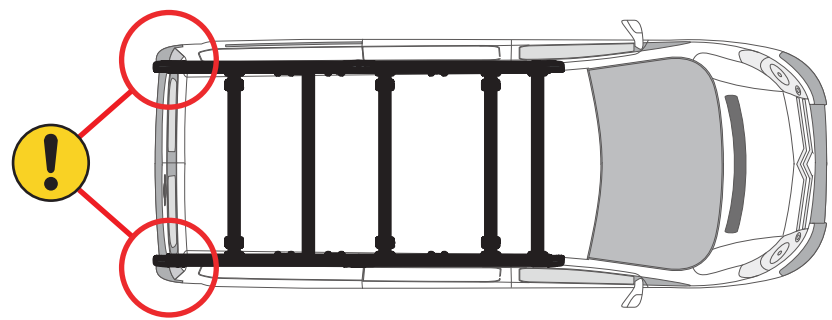
EN - TIGHTEN ALL OF THE CROSS BARS
 DE - ALLE QUERSTANGEN FESTZIEHEN
 FR - SERREZ TOUTES LES BARRES TRANSVERSALES
 NL - DRAAI ALLE DWARSBALK VAN HET DAK AAN
 ES - APRIETE TODAS LAS BARRAS TRANSVERSALES
 IT - STRINGERE TUTTE LE BARRE TRASVERSALI

SV - SKRU UPP ALLA KORSSTANGAR
 DA - SKRU ALLE TAGBØJLER OP
 NO - SKRU OPP ALLE TVERRSTENGER
 PL - DOKRĘCIĆ WSZYSTKIE POPRZECZKI
 CS - VŠECHNY PŘÍČNÉ TYČE SEŠROUJTE

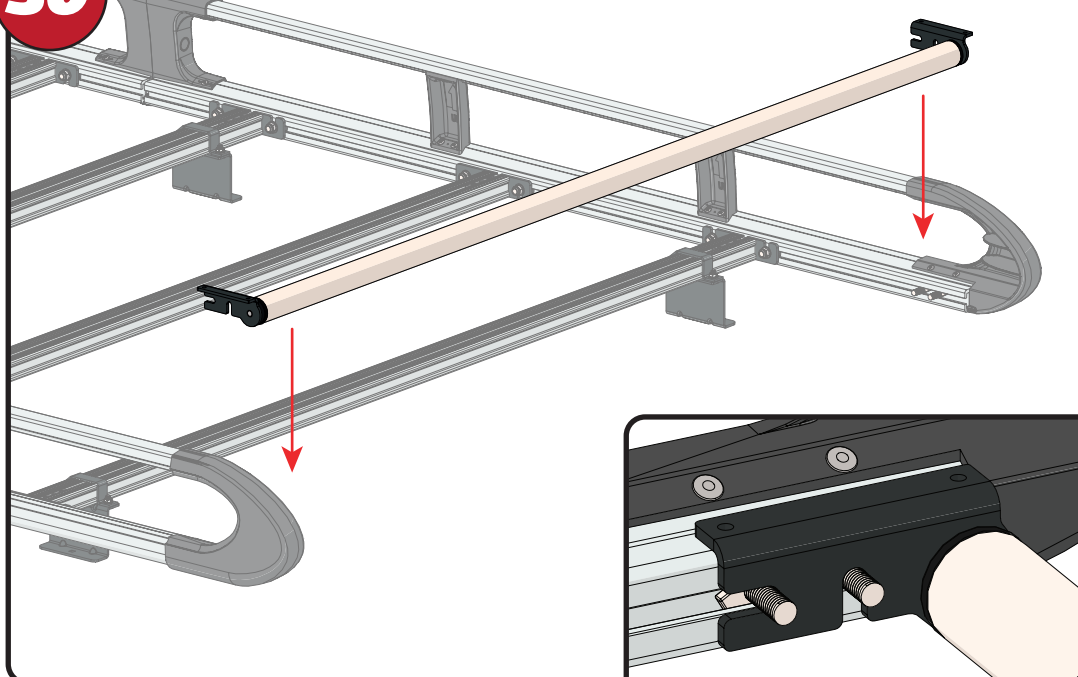
28



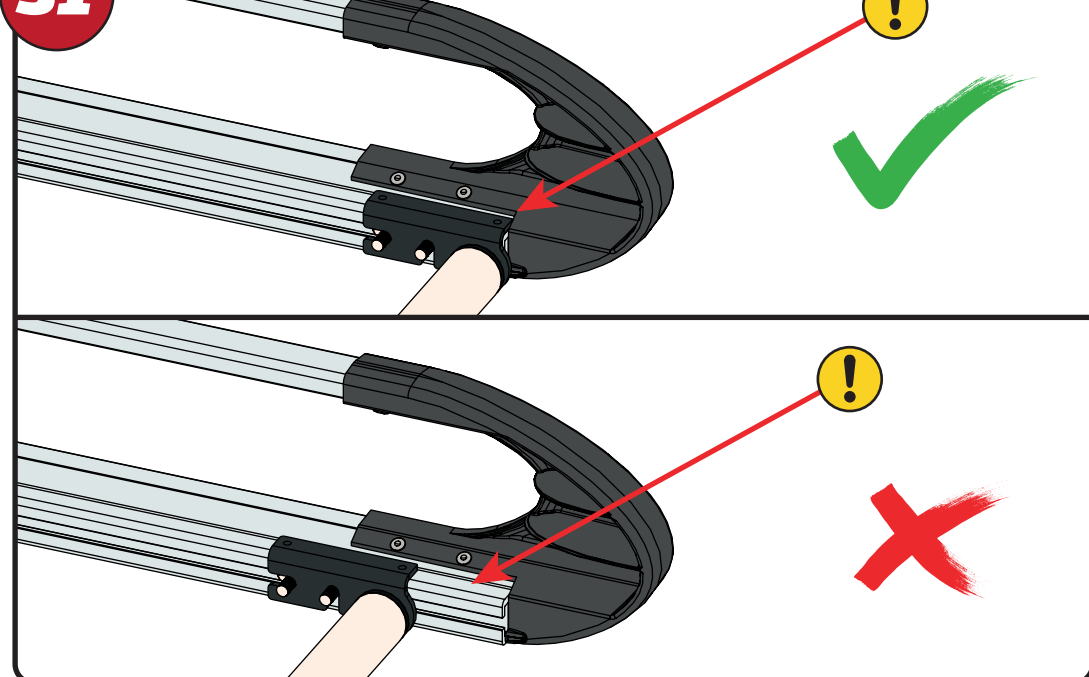
29



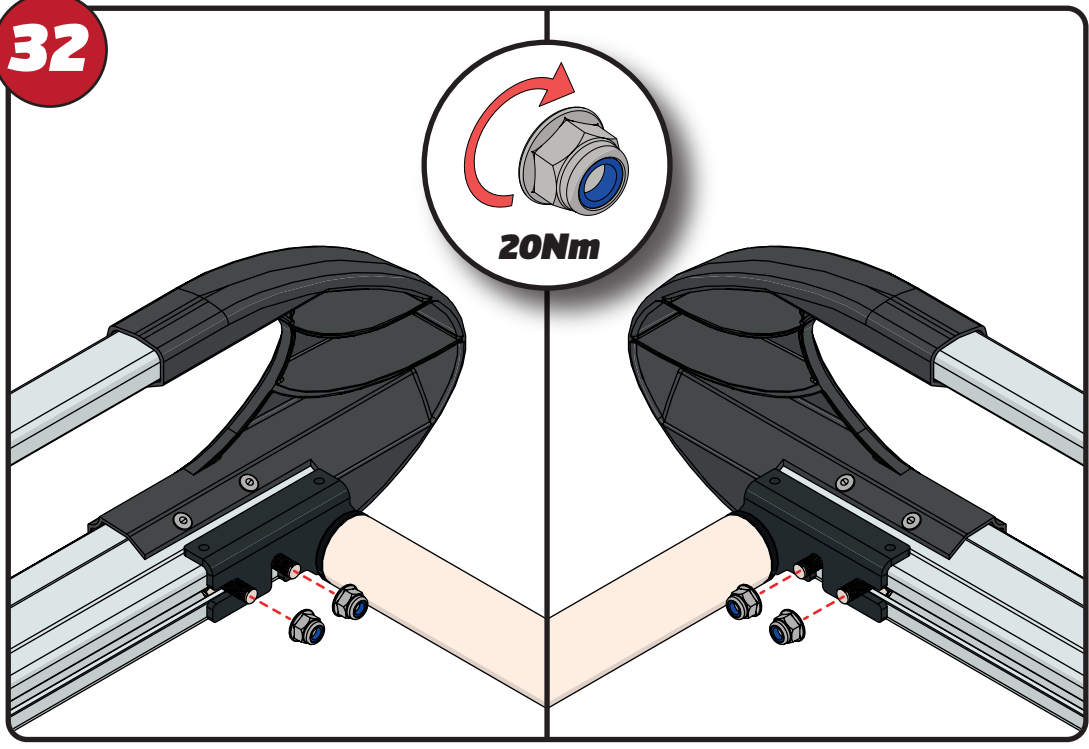
30



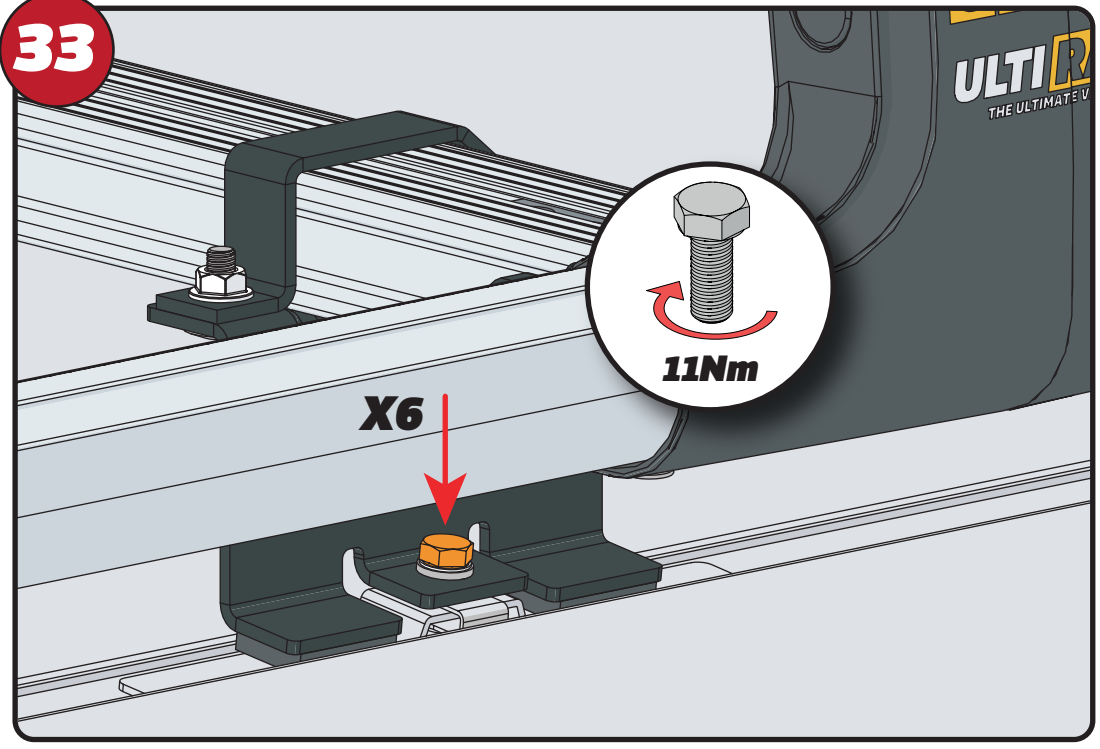
31



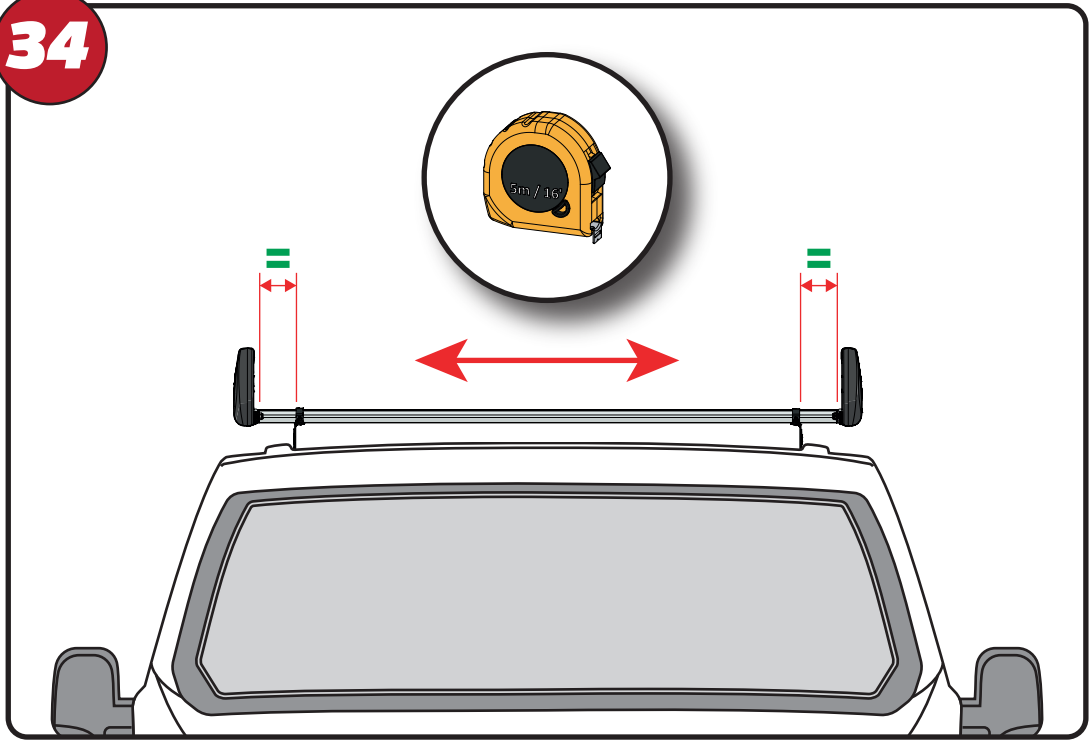
32



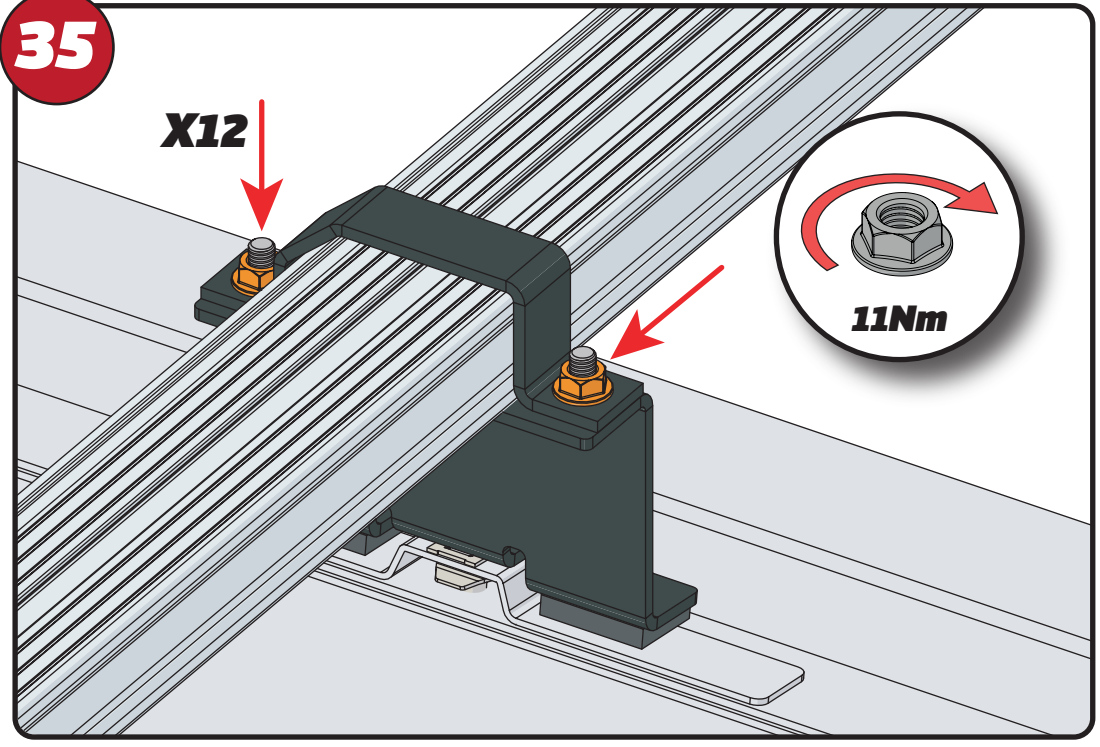
33



34



35

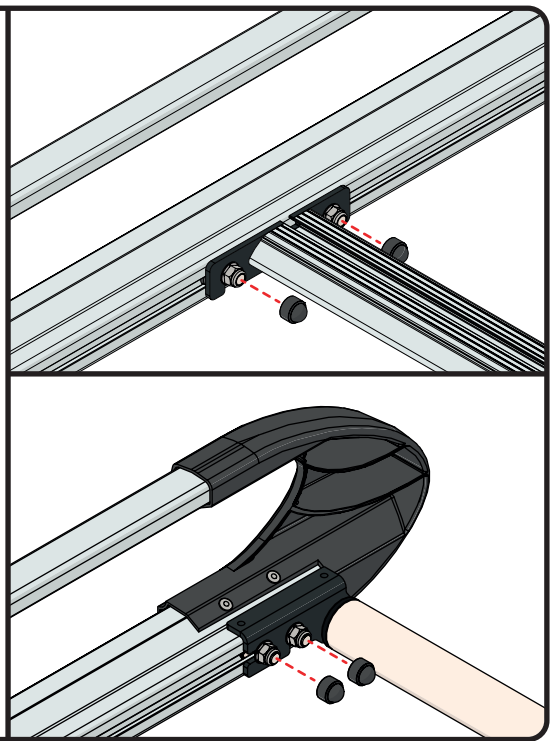


36



FX4241

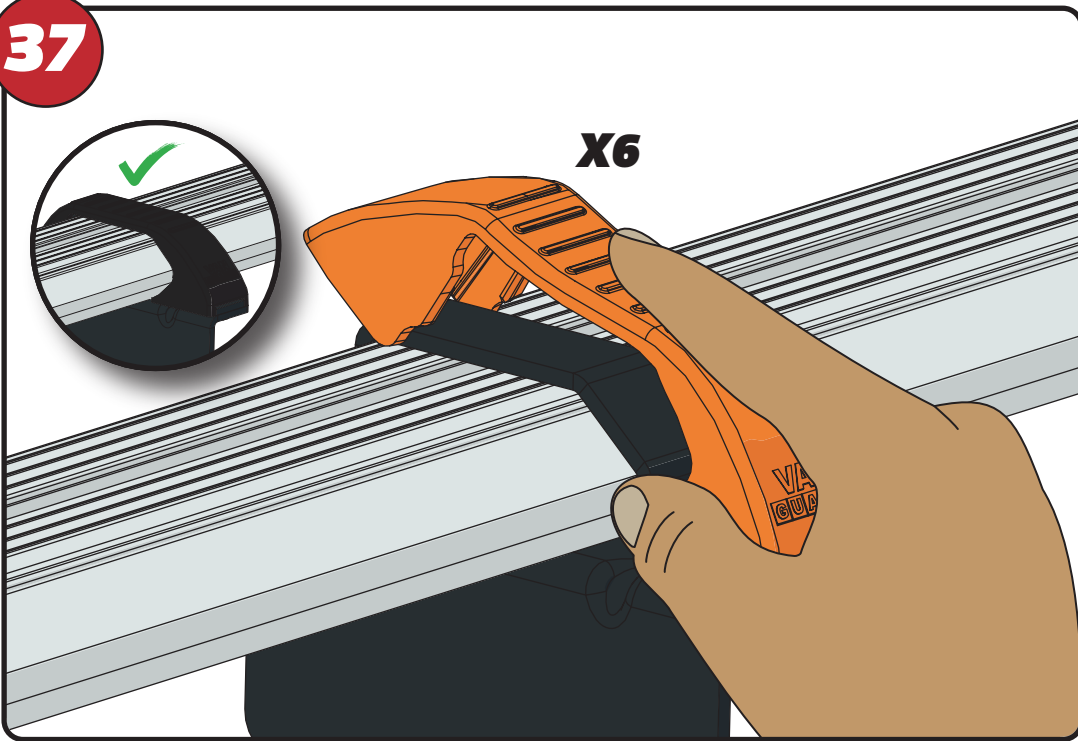
X24



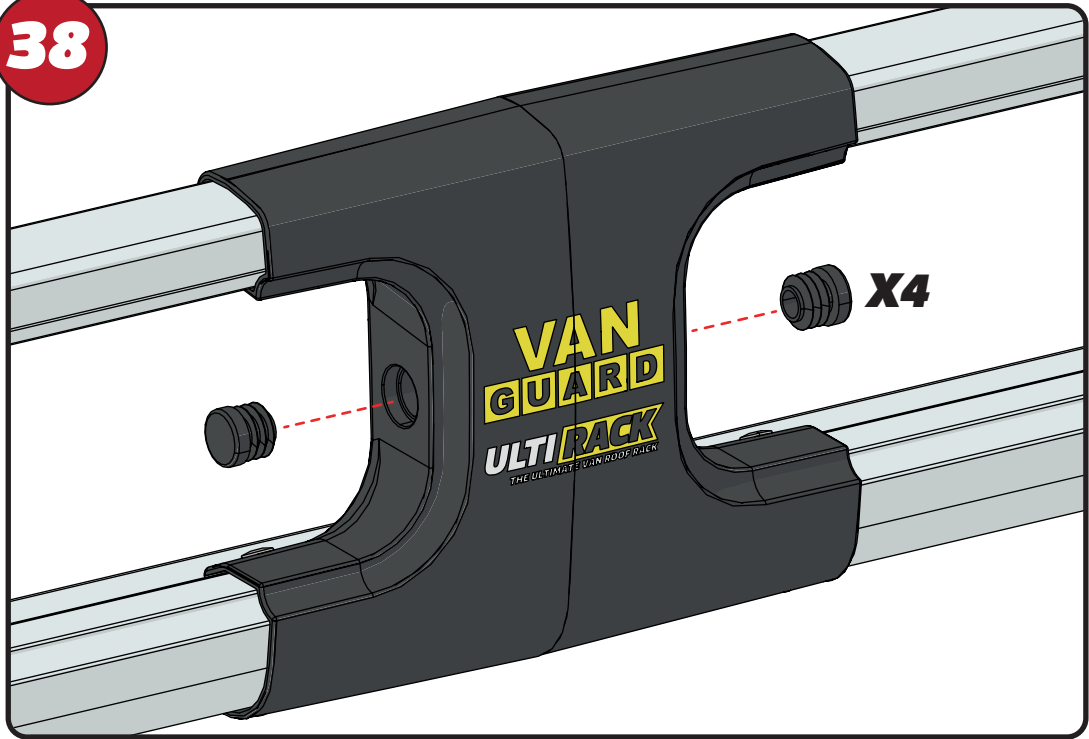
37



X6



38



VAN GUARD
ULTRA RACK
THE ULTIMATE VAN ROOF RACK

X4

39

